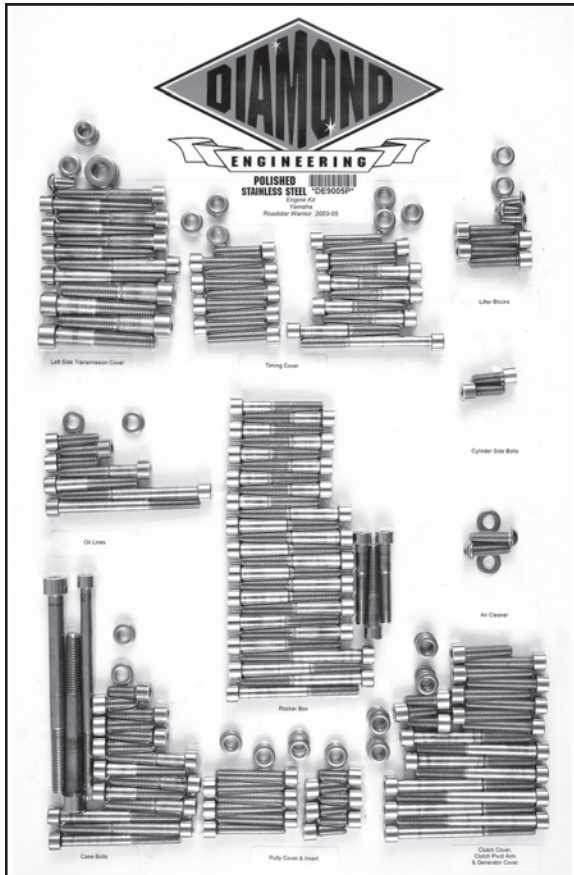




Polished Stainless Steel Engine Kits



Yamaha Engine Kits	Part No.
Roadstar Warrior 2003 - 05 , includes Generator Cover, Clutch Cover, Timing Cover, Pulley Cover, Left Side Transmission Cover, Top & Side Lifter Block Screws, Cylinder Side Screws, Air Cleaner, Case Bolts, Oil Lines, Clutch Cable Arm and Rocker Boxes	DE9005P
Roadstar 1700, 2004 - 04 , includes Generator Cover, Clutch Cover, Timing Cover, Pulley Cover, Left Side Transmission Cover, Top & Side Lifter Block Screws, Cylinder Side Screws, Air Cleaner, Case Bolts, Oil Lines, Clutch Cable Arm and Rocker Boxes	DE9006P
Roadstar 1600, 1999 - 03 , includes Generator Cover, Clutch Cover, Timing Cover, Pulley Cover, Left Side Transmission Cover, Top & Side Lifter Block Screws, Cylinder Side Screws, Air Cleaner, Case Bolts, Oil Lines, Clutch Cable Arm and Rocker Boxes	DE9007P
V Star 1100, 1999 - 05 , includes Generator Cover, Clutch Cover, Timing Cover, Exhaust Flange, Rocker Boxes & Adjusting Covers, Transmission Side Covers, Dylinder Side Screws, Cam Chain Tensioner, Cylinder Base Bolts, Case Bolts, Starter Bolts and Air Cleaner	DE9008P
V Star 650, 1998 - 05 , includes Generator Cover, Clutch Cover, Timing Cover, Driveshaft Cover, Rocker Boxes, Air Cleaner, Cylinder Side Bolts, Timing Chain Adjuster & Cylinder Cooling Distribution Block	DE9009P

Kawasaki Engine Kits

Vulcan 2000, 2004 - 05, includes Generator Cover, Clutch Cover, Air Cleaner, Timing Cover, Case Bolts and Lifter Blocks

Vulcan 1566 & 1600, 1996 - 05, includes Generator Cover, Clutch Cover, Water Pump and Air Cleaner

Vulcan 800, 1995 - 05, includes Generator Cover and Right Side Cover

Part No.

DE9000P

DE9001P

DE9002P

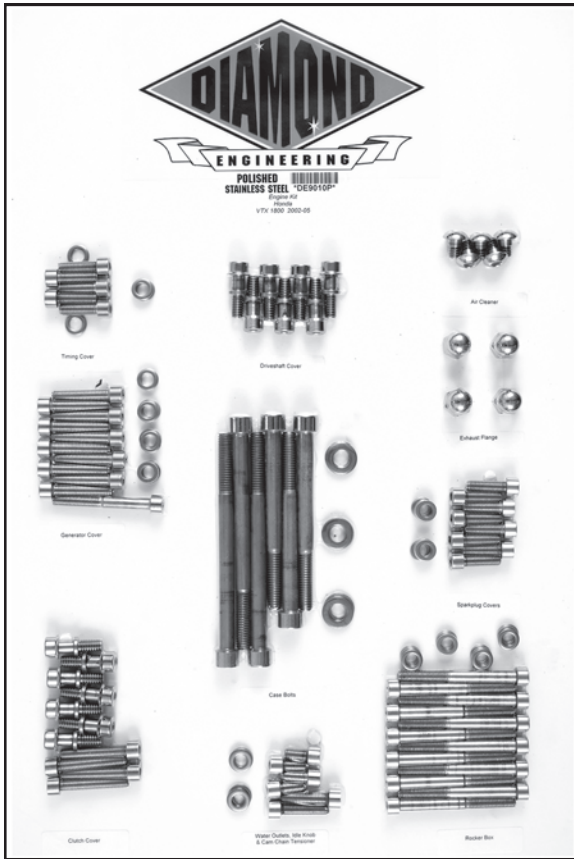
Diamond Engineering manufactures custom bolts and hardware specifically for Metric Cruisers.

To help protect the finish on your bike whether it be chromed, painted or powder coated, we have designed a special small washer that fits under the head of all M6 engine cover bolts.

These washers are included in all kits and available individually.

Part #'s WMN06P (each) WMN06P-100 (100 pack)





Honda Engine Kits	Part No.
VTX 1800, 2002 - 05 , includes Generator Cover, Clutch Cover, Timing Cover, Driveshaft Cover, Rocker Boxes, Sparkplug Covers, Air Cleaner, Case Bolts, Cam Chain Tensioner, Idle Adjusting Knob and Coolant Hose Outlets	DE9010P
VTX 1300, 2003 - 05 , includes Generator Cover, Clutch Cover, Timing Cover, Driveshaft Cover, Cam Chain Tensioner, Clutch Cable Bracket, Case Bolts and Air Cleaner	DE9011P



Diamond Engineering manufactures custom bolts and hardware specifically for Metric Cruisers

METRIC

Suzuki Engine Kits	Part No.
Intruder 1500 & Boulevard C90, 1998 - 05 , includes Generator Cover, Clutch Cover, Right Side Cover, Exhaust Flange and Drive Shaft Cover	DE9003P
Volusia 800 & Boulevard C50, 2001 - 05 , includes Generator Cover, Clutch Cover, Air Cleaner, Exhaust Flange, Starter Cover, Horn Cover and Cam Chain Tensioner	DE9004P



See our selection of Bulk Assortments and Individual Bolts for more Metric Hardware