

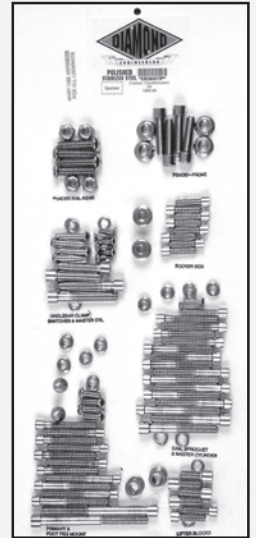
Polished Stainless Steel Custom Transformation Kits & Engine Kits



How about customizing your bike without having to completely disassemble it? These kits will help transform your ride into a shining custom bike with beautifully polished mirror finish bolts. Packaged into 7 groups of fasteners that cover your bike from fender to fender, and with most areas, no disassembly is required making it a breeze to add this finishing touch to your custom bike.

Includes:

- Primary, Inspection Covers & Foot Peg Mount
- Cam , Sprocket & Points Covers & Rear Master Cylinder
- Lifter Blocks
- Rocker Box
- Handlebar Clamp, Switch Housings & Master Cylinder
- Front Fender
- Rear Fender Rail



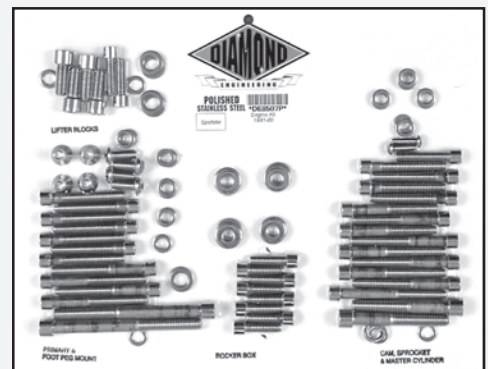
SPORTSTER

Custom Transformation Kits	O.E.	SOCKET CAP	12 POINT
All Models 1986 - 90	DE8005P	-	-
All Models 1991 - 95	DE8006P	-	-
All Models 1996 - 03	DE8007P	-	-
All Models 2004 - 06	DE8008P	-	-

It's as easy as one 1-2-3-4 to dress up your engine. With four groups of fasteners you can make your engine really shine. Every bolt is ground or machined smooth then polished to be this perfect complement to any custom bike. These kits are easy to install and include all necessary washers or specialty fasteners where needed.

Includes:

- Primary, Inspection Covers & Foot Peg Mount
- Cam , Sprocket & Points Covers & Rear Master Cylinder
- Lifter Blocks
- Rocker Box



Engine Kits	O.E.	SOCKET CAP	12 POINT
All Models 1971 - 76	DE8504P	-	-
All Models 1977 - 85	DE8505P	-	-
All Models 1986 - 90	DE8506P	-	-
All Models 1991 - 03	DE8507P	-	PS818S
All Models 2004 - 06	DE8510P	-	-



Polished Stainless Steel Individual Kits

SPORTSTER

Air Cleaner	O.E.	SOCKET CAP	12 POINT
S&S	DE5090P	DE5090FSCP (Flat Socket Cap)	-
Belt / Chain Sprocket	O.E.	SOCKET CAP	12 POINT
Cast Wheels 1979 - 91 Lace Wheels 1995 - 06	DE5050P	-	PB511S
Cast Wheels 1992 - 06	DE5051P	-	PB511S
Lace Wheels 1981 - 91	DE5053P	-	-
Lace Wheels 1992 - 94 (PB511S requires DE5056 Nut Kit)	DE5055P	-	PB511S
Cam, Sprocket & Point Covers	O.E.	SOCKET CAP	12 POINT
All Models 1971-76	DE7008P	-	-
All Models 1977 - 85, includes Rear Master Cylinder	DE7009P	-	-
All Models 1986 - 90, includes Rear MasterCylinder	DE7010P	-	PS713S
All Models 1991 - 03, includes Rear Master Cylinder	DE7011P	-	PS714S
All Models 2004 - 06, includes Rear Master Cylinder	DE7012P	-	-
Case Bolts	O.E.	SOCKET CAP	12 POINT
All Models 1991 - 97	DE7021P	-	PS716S
All Models 1998 - 03	DE7022P	-	PS717S
Disc Brake Caliper	O.E.	SOCKET CAP	12 POINT
Front Mounting Bolt Only - All Models 1984 - 99	-	-	PB536S
Rear Mounting Bolt Only - All Models 1986 - 99	-	DE5166P	-
Front Disc Brake Caliper & Mount - All Models 2000-06	-	DE5156SCP	-
Rear Disc Brake Caliper - All Models 2000-06	-	DE5157SCP	-
Disc Brake Rotor	O.E.	SOCKET CAP	12 POINT
Front All Models 1979 - 83, All aftermarket with countersunk holes 1984 - 06	DE5074P	-	-
Front All Models 1984 - 06	-	-	PB550S
Front Locknut Kit 1979 - 06 All non-threaded hubs	DE5070P	-	-
Rear - H-D 1984-91, All aftermarket with countersunk holes 1984 - 06	DE5078P	-	-
Rear All Models 1992 - 06	-	-	PB532S
Rear Locknut Kit 1984 - 06 All non-threaded hubs	DE5071P	-	-

Polished Stainless Steel Individual Kits



Fender Front	O.E.	SOCKET CAP	12 POINT
All Models 1984 - 06	DE5045P	-	-
Fender Rail	O.E.	SOCKET CAP	12 POINT
All Models 1957 - 78	DE7036P	-	-
All Models 1979 - 81	DE7037P	-	-
All Models 1982 - 90	DE7038P	-	-
All Models 1991 - 94	DE7039P	-	-
All Models 1995 - 03	DE7040P	-	PB715S
All Models 2004 - 06	DE7024P	-	-
Foot Pegs	O.E.	SOCKET CAP	12 POINT
All Models (2 Pair)	-	DE5043SCP	-
Fuel Tank	O.E.	SOCKET CAP	12 POINT
883 All Models 1986 - 92	DE7050P	-	-
1000 All Models 1986 - 87, 1200 All Models 1988 - 92	DE7051P	-	-
883 & 1200 All Models 1993 - 95	DE7052P	-	-
883 & 1200 All Models 1996 - 03	DE7053P	-	-
All Models 2004 - 06	DE7025P	-	-
Handlebar Clamp	O.E.	SOCKET CAP	12 POINT
883 Custom, 1200 Custom 1997 - 01	DE5041P	-	-
All Models 1991 - 94, 883 Standard, Hugger & Deluxe, 1200, 1200 Sport 1995 - 03	DE5131P	-	-
All Models 1986 - 90	DE5132P	-	-
883 Custom & 1200 Custom 1997 - 03, includes Riser & Triple Tree Covers	DE7020P	-	-
883 Standard, Hugger & Deluxe, 1200, 1200 Sport 1996 - 03, includes Switch Housings & Master Cylinder	DE5144P	-	-
All Models 1986 - 90, includes Switch Housings & Master Cylinder	DE5143P	-	-
Handlebar Switch Housings & Master Cylinder	O.E.	SOCKET CAP	12 POINT
All Models 1973 - 81	DE5034P	-	-
All Models 1982 - 95	DE5032P	-	-
All Models 1996 - 03	DE5039P	-	-
All Models 2004 - 06	DE7016P	-	-

SPORTSTER



Polished Stainless Steel Individual Kits

SPORTSTER

Handlebar Riser Bolts	O.E.	SOCKET CAP	12 POINT
Handlebar Riser Nuts XLH, XLCH 1974 - 78, XLS 1979 - 82, XL 1979 - 85, All Models 1986 - 94	DE5130ANP (Acorn Nuts)	-	-
All Models 1995 - 03	DE5134P	DE5134SCP	-
All Models 2004 - 06	DE5035P	DE5035SCP	-
Custom Applications 1/2 - 20 x 2	DE5136P	DE5136SCP	-
Custom Applications 1/2 - 20 x 2 1/2	DE5036P	DE5036SCP	-
Custom Applications 1/2 - 20 x 3	DE5137P	DE5137SCP	-
Custom Applications 1/2 - 20 x 3 1/2	DE5138P	DE5138SCP	-
Custom Applications 1/2 - 13 x 2	DE5133P	DE5133SCP	-
Custom Applications 1/2 - 13 x 2 1/2	DE5035P	DE5035SCP	-
Custom Applications 1/2 - 13 x 2 3/4	DE5127P	DE5127SCP	-
Custom Applications 1/2 - 13 x 3	DE5134P	DE5134SCP	-
Custom Applications 1/2 - 13 x 3 1/2	DE5135P	DE5135SCP	-



Maltese Cross
Head Bolts.
Call for details



Head Bolts	O.E.	SOCKET CAP	12 POINT
All Models 1957 - 73, includes washers	PB444S	-	-
All Models 1992 - 06.	Button Cap Outside DE5172BCP Inside DE5175BCP	Outside DE5172SCP Inside DE5175SCP	Outside PB440S Inside PB441S

Ignition Module Cover	O.E.	SOCKET CAP	12 POINT
All Models 1986 - 97	DE5090P	DE5090FSCP (Flat Socket Cap)	-
All Models 1998 - 06	DE7017P	DE7017FSCP (Flat Socket Cap)	-

Intake Manifold Bolts	O.E.	SOCKET CAP	12 POINT
All Models	-	-	PB537S

Lifter Blocks	O.E.	SOCKET CAP	12 POINT
All Models 1957 - 90	DE7018P	-	PS740S
All Models 1991 - 03	DE7019P	-	PS741S
All Models 2000 - 06	DE7023P	-	-

Polished Stainless Steel Individual Kits



Master Cylinder Screws	O.E.	SOCKET CAP	12 POINT
All Models (Card of 24 pair)	DE5502P	-	-
Motor Mount	O.E.	SOCKET CAP	12 POINT
Upper & Lower Front, & Top Center, All Models 1986 - 91	-	DE7054SCP	PS700S
Upper & Lower Front, & Top Center, All Models 1992 - 94	-	DE7055SCP	PS701S
Upper & Lower Front, & Top Center, All Models 1995 - 03	-	DE7056SCP	PS702S
Oil Pump	O.E.	SOCKET CAP	12 POINT
All Models 1977 - 90	DE7028P	-	-
All Models 1991 - 03	DE7029P	-	-
Point Cover	O.E.	SOCKET CAP	12 POINT
All Models 1970 - 06	DE5089P	-	-
All Models 1970 - 06 (Card of 12 Pair)	DE5503P	-	-
Primary Cover	O.E.	SOCKET CAP	12 POINT
All Models 1971 - 76	DE7001P	-	-
All Models 1977 - 85, includes Foot Peg Mount	DE7002P	-	-
All Models 1986 - 90, includes Foot Peg Mount	DE7003P	-	PS759S
All Models 1991 - 93, includes Inspection Covers & Foot Peg Mount	DE7004P	-	PS760S
All Models 1994 - 03, includes Inspection Covers & Foot Peg Mount	DE7005P	-	PS761S
All Models 2004 - 06	DE7013P	-	-
Rocker Box	O.E.	SOCKET CAP	12 POINT
All Models 1957 - 76	-	DE7014SCP	-
All Models 1977 - 85	-	DE7015SCP	-
Evolution	DE5015P	-	PB570S
Shock Mount - Upper & Lower	O.E.	SOCKET CAP	12 POINT
All Models 1979 - 81	-	DE7060SCP	-
All Models 1982 - 85	DE7061P	-	-
All Models 1986 - 87 (Except 883 Hugger 1987)	DE7062P	DE7062SCP	-
All Models 1988 - 90, 883 Hugger 1987	DE7063P	-	-
All Models 1991 - 99	DE7064P	-	-
All Models 2000 - 03	DE7065P	DE7065SCP	-

SPORTSTER